

Why SUNPIPE?

Q&A book available



SUNPIPE® systems energy free, super-reflective tube even extends through adjustable bends and has an internal mirror-finish that reflects natural daylight delivering free outdoor light (even on cloudy days) to a room or area below - where the light is evenly diffused by a ceiling fixture. The SUNPIPE provides a soothing restful light that is better for health and helps combat SAD.

SUNPIPE natural daylight systems are a revolutionary new way to pipe natural daylight from your rooftop into your home - to brighten areas from dawn to dusk where daylight from windows cannot reach.

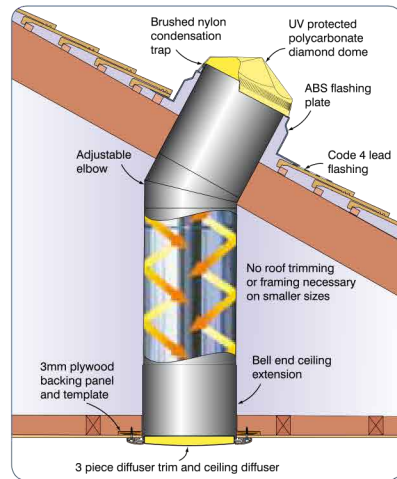
The SUNPIPE Diamond consists of an arrangement of flat diamond shaped facets on the surface of the SUNPIPE that concentrates the projection of any daylight through a series of flat prisms.

This patented system also incorporates vertical prisms around the circumference of the dome to catch light from the sun in morning and evening when at its lowest level.



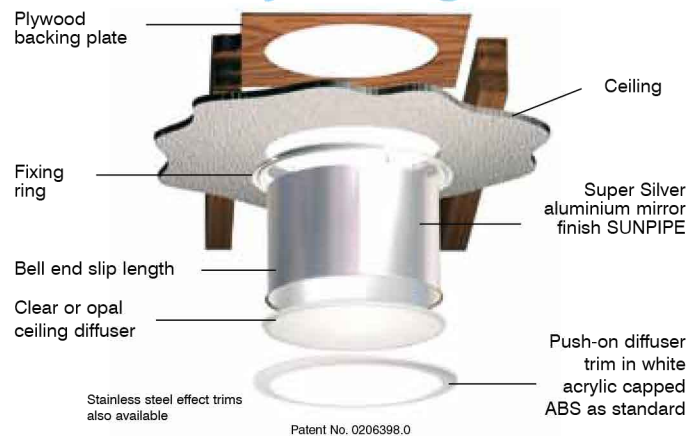
How?

A simple system



All SUNPIPE systems carry a **07 year** guarantee

by design



All joints sealed and screwed with aluminium tape

SUNPIPE can twist and turn to bring daylight to exactly where you need it

Few fixings required. Normally single fixing at base of system



Provides sealed column of air to prevent heat loss or solar gain and ensures an even spread of natural light across any designated area.

What Size?

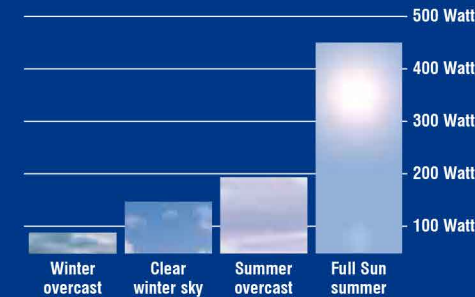
Area to be lit (to a normal daylight condition)	SUNPIPE Size
approx 7.5m ² (80 sq. ft.)	230mm (9" dia)
approx 14m ² (150 sq. ft.)	300mm (12" dia)
approx 22m ² (230 sq. ft.)	450mm (18" dia)
approx 40m ² (430 sq. ft.)	530mm (21" dia)

What Output?

...and the Weather?

The most remarkable feature of SUNPIPE is the amount of intensified light it can deliver. The light will vary depending on the time of year but can be expressed as an equivalent to electric lighting, as shown in these diagrams.

Tables from research conducted by the University of Nottingham



Above chart shows output of a 300mm dia. SUNPIPE to a flat roof application

There is a 6% drop in light output for every metre of SUNPIPE and a 12% reduction for every elbow used.

Night-time?

Where a single light source is required the SUNPIPE can be supplied with a 50 watt Halogen light fitting that has been especially designed so as not to affect the natural light output during daytime use, and should be fitted approx 250mm above the diffuser.



Available for all sizes

Where?

Any roof



Plain Tile

Bold Roll

Slate



Gravel

Felt

to any room



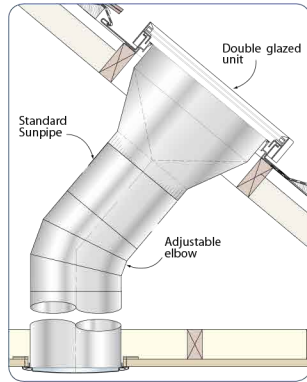
More energy saving products

The square Sunpipe

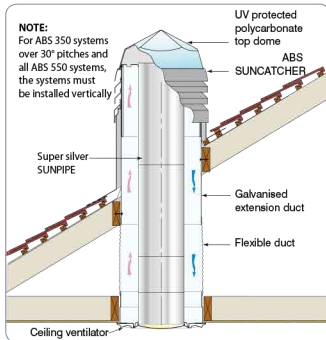
The SQUARE SUNPIPE incorporates a sealed double glazed unit with an outer layer of 3mm clear float glass, an 8mm air gap and 3mm clear float inner glass.



The SQUARE SUNPIPE system can terminate in either a standard circular diffuser or an optional square diffuser for suspended ceilings.



ABS SunCatcher
SUNPIPE and Natural Ventilation in one compact energy-free system



Both systems incorporate the remarkable SUNPIPE with the mirror-finish aluminium tube that eliminates the need for electric lighting during daytime use and provide ventilation.

Natural daylight & free flowing controllable natural ventilation

3 sizes:

ABS 350 with 230mm (9") dia SUNPIPE

ABS 550 with 300mm (12") dia SUNPIPE

ABS 550 with 450mm (18") dia SUNPIPE

- ideal for:
- Bathrooms
 - Kitchens
 - Toilets
 - Shower Rooms
 - Small Offices



Sola-vent
solar powered ventilation and natural daylight



Automatically provides required ventilation to comply with Building Regulations to supply extract ventilation

PIR controlled - ensures the correct level of ventilation without user input

Solar powered - photovoltaic panel charges internal batteries to provide up to 7 days usage

Mains back-up facility for winter use or where low sun conditions are predicted

Two integral halogen downlights provide light during evening use and are easily connected to existing electrical wiring

Ultra low noise design

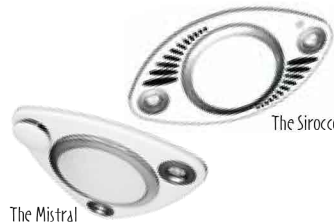
Guaranteed for 07 years

Saves annually up to 8kg of CO₂ emissions compared to a typical mains powered fan

Complete installation service available nationwide



Available in two sizes and two designs



Sunpipe

- No structural alterations and no maintenance
- Self - Cleaning & Condense - Free Sun Dome
- Virtually no limit to length of SUNPIPE or number of bends used
- Virtually burglar-proof and vandal resistant
- Minimal heat loss in winter or minimal solar gain in summer months
- Normally installed within 3-4 hours



Please contact us for further information

(+84) 8 6253 0888



8 Hong Ha street, Ward 2, Tan Binh District, HCMC
Tel: (+84) 8 6253 0888 Fax: (+84) 8 6297 1913
e-mail: greensolution@quocviettech.com
web site: www.awspl.com.vn

Sunpipe



Natural daylight systems